

4RS-1

Expander Station 4

The 4RS-1 is a universal 4-outlet power expansion module. It can be used with any of TrolMaster's "plug-in" style device modules to expand the number of devices that can be controlled by the Hydro-X. A single 120-240 volt "trigger" cable on the 4RS-1 connects to your device / control module. When the device module is activated by the Hydro-X, the 4RS-1 trigger cable will turn on each of the 4 receptacles on the 4RS-1 with a 3 second time delay between each outlet being activated. That minimizes high start-up (inrush current) and allows up to 4 devices to be safely controlled. The 4RS-1 must be installed with a 120/240 volt power circuit (up to 50-amps @ 240vac). Three wire terminals inside the unit accept up to #6 AWG wire making connections to the power source easy.



***Caution:** This plug is NOT U.L. or E.T.L listed.

Specifications

4RS-1

Main Power Voltage

Voltage 100-240V~, 50/60Hz

Receptacle Quantity

Receptacle Quantity 4

Max Relay Amperage

Max Relay Amperage 25A

Working Environments

Temperature 32~104°F (0~50°C)

Humidity ≤ 90%RH

Package Dimensions

Size 10.83inch /275mm(L) x 10.04inch /170mm(W) x 3.74inch /95mm(H)

Gross Weight 3.64lbs /1.65kg

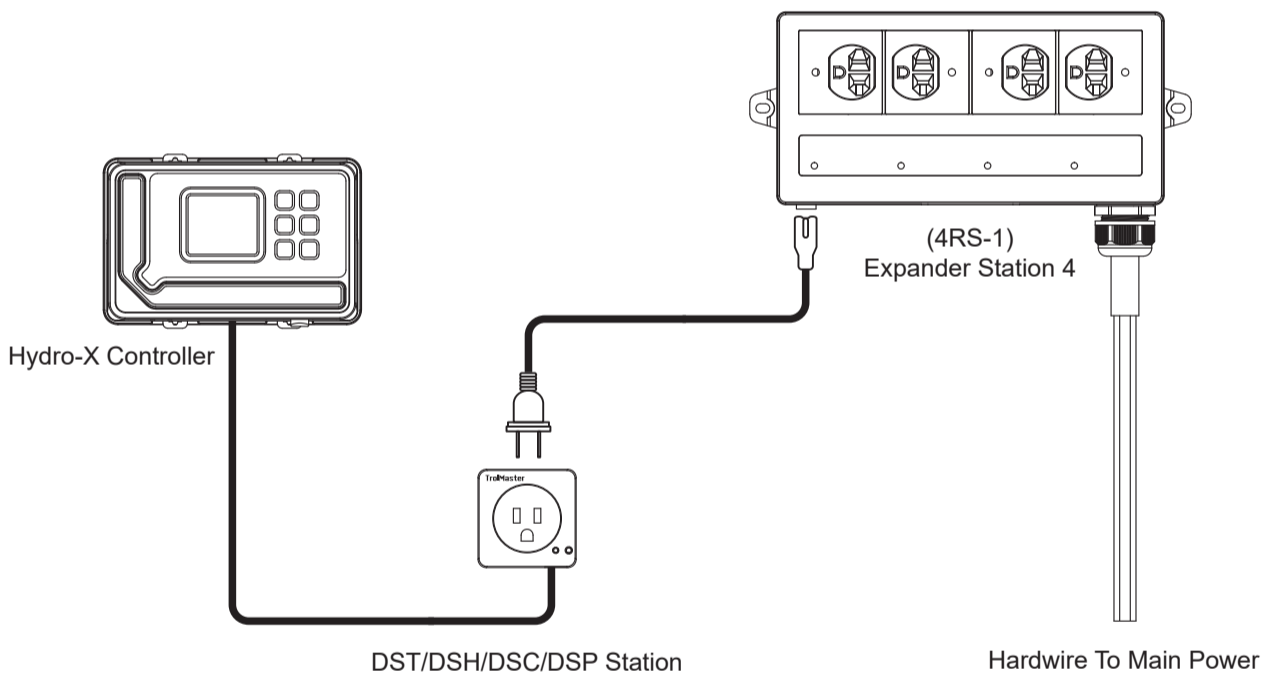
Package Contents

Expander Station 4 1pc

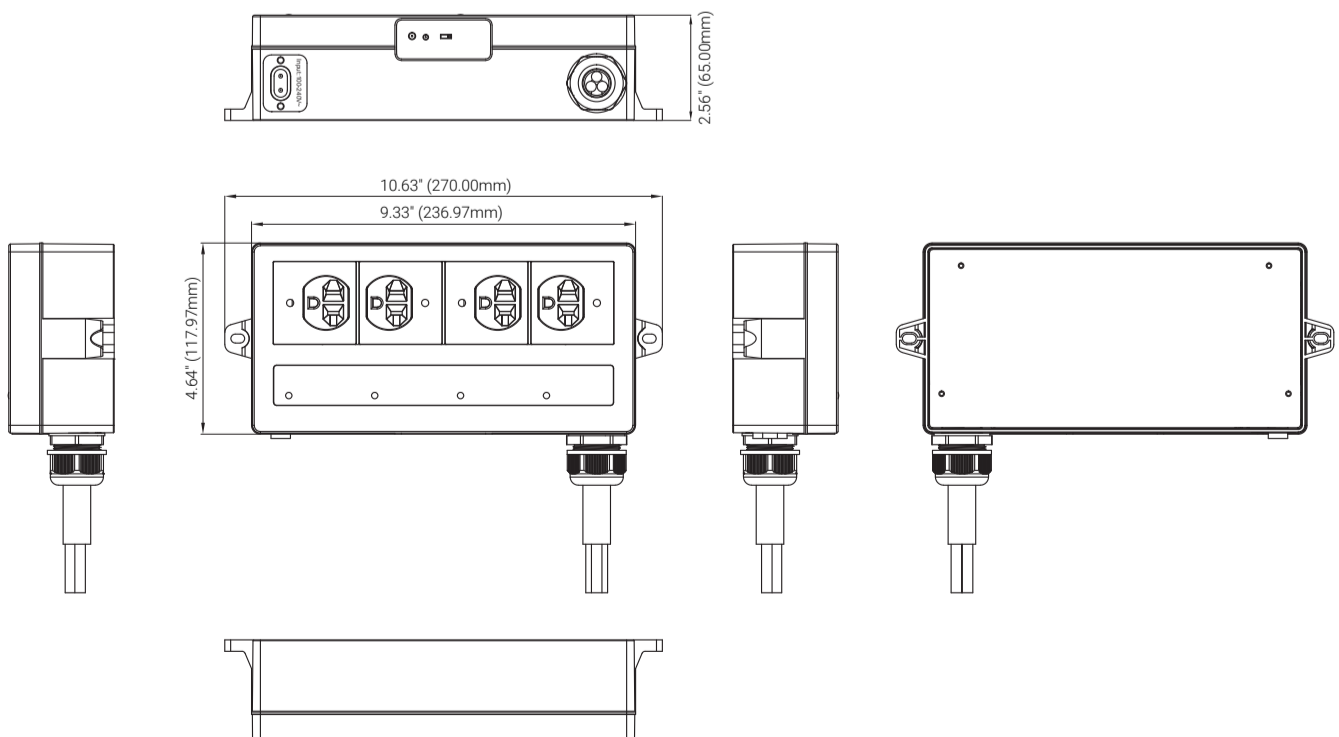
Link Up

4RS-1

Connection Diagram



Product Dimensions



RoHS