

MBS-WS

Weather Station Sensor

The TrolMaster Weather Station Sensor MBS-WS is a compact, integrated weather sensor that combines 4 sensors into a single weather station sensor. The MBS-WS can accurately measure temperature, humidity, wind speed and rainfall measurements. Using stable and reliable RS485 digital communication, it ensures real-time data transmission and seamless communication with TrolMaster GCS-1 control systems. Built to withstand harsh weather conditions, the MBS-WS offers reliable performance, easy installation, and durability.



The MBS-WS is fully compatible with the GCS-1 Green-X Greenhouse controller, the MBS-WS enables optimal climate management by integrating weather data into overall environmental controls. It also works seamlessly with the DMC-1 24V DC Greenhouse Roll Up Motor Controller, enhancing environmental control. The DMC-1 provides precise roll-up motor management functions such as forward, reverse, stop, timeout shutdown, and overcurrent protection. The MBS-WS can be used to automatically trigger the GCS greenhouse controllers to close curtains or vents connected to the DMC-1 DC motor driver. Together, the MBS-WS, GCS-1, and DMC-1 provide a comprehensive solution for precise and efficient greenhouse climate control and management of roll-up curtains and vents.

Specifications

MBS-WS

Input Voltage

Input Voltage 12V=0.1A

Rated Current

Rated Current <1W

Number of Wind Spoons

Number of Wind Spoons 3

IP Rating

IP Rating IP54

Wind Speed Range

Wind Speed Range 0-15 m/s (0-33.55mph) or 0-54 km/h

Package Dimensions

Size 7.48inch / 190mm(L) x 6.69inch / 170mm(W) x 6.69inch / 170mm(H)

Range and Accuracy

Temperature -4~122°F

Temperature accuracy ±3°F

Humidity range 0-90%RH

Humidity Accuracy ±5%RH

Package Content

Weather Station Sensor 1pc

12ft RJ12 to 4-Pin IP65 Connector Cable 1pc

Horizontal Tool 1pc

Mounting Bracket 1pc

Working Environments

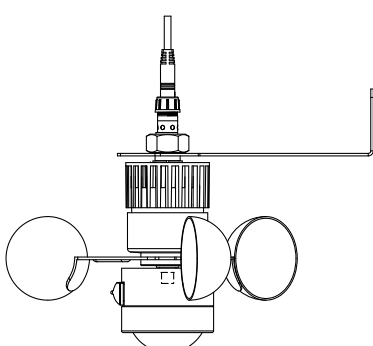
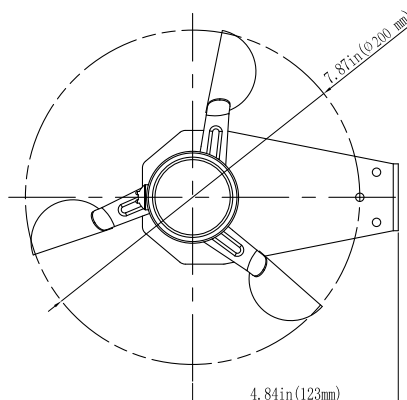
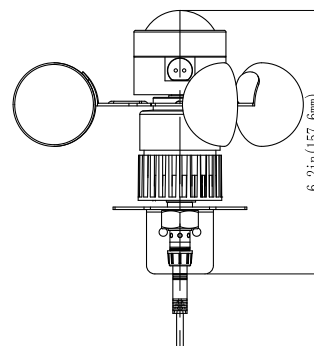
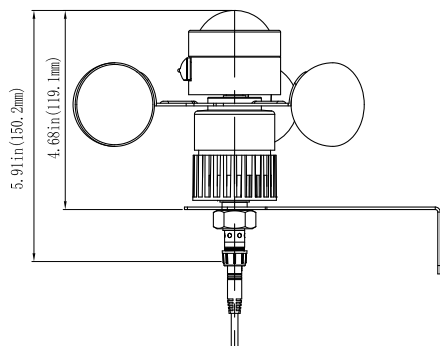
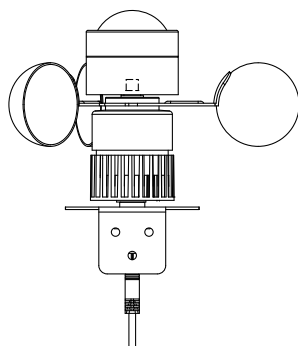
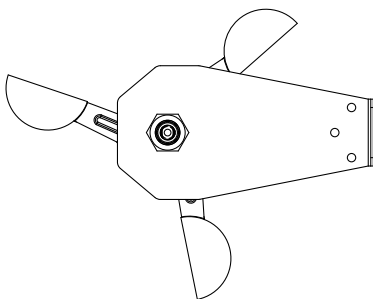
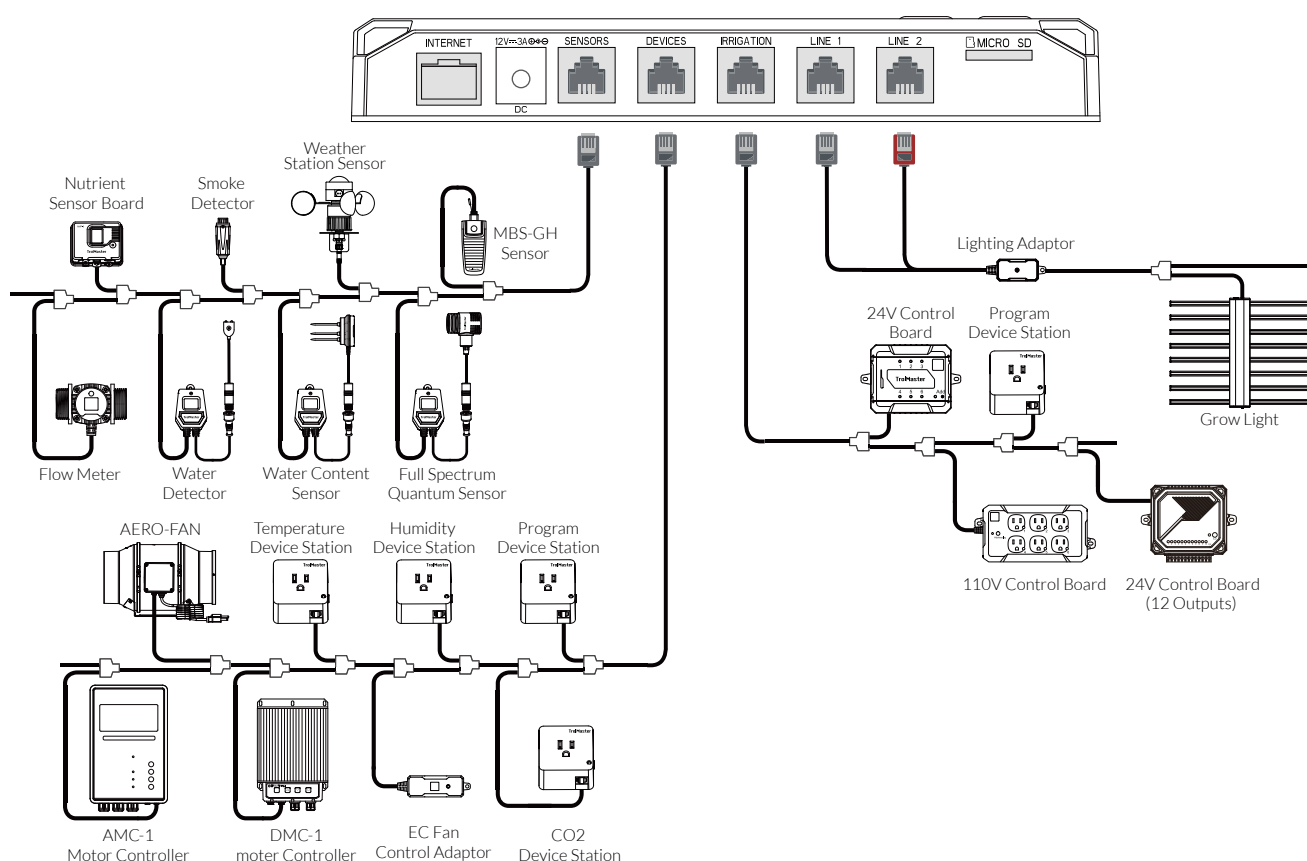
Temperature -4-140°F (-20-60°C)

Humidity ≤90%RH

Link Up

MBS-WS

CONNECTION DIAGRAM



RoHS