

MODEL-C

18watt single spectrum channel Clone LED (2pcs)

The ThinkGrow MODEL-C is a 3.6' Clone LED Bar, it is a revolutionary solution for high-density indoor plant propagation. It is specifically designed to optimize conditions for seedlings, cuttings, and young plants during their crucial early growth stages, focusing on root development and initial leaf growth. Key features include lamp bead protection, waterproof and weather-resistant characteristics. The MODEL-C provides a solid, stable, and gentle full spectrum light intensity to prevent seedling burn, ensuring an optimal spectrum for root development and energy-efficient operation for continuous use.



Specifications

MODEL-C

PPF

PPF 36 $\mu\text{mol/s}$

Efficacy

Efficacy 2.0 $\mu\text{mol/J}$

IP Water Resistance

IP Rating IP66

Input Power

Input Power 18W

Input Voltage

Input Voltage Autosensing 100-277V~

Mounting Height

Height >6" (15.2cm) Above Canopy

Lifetime

Lifetime L90: >54,000 hours

Warranty

Warranty 5 Years Standard Warranty

Power Factor

Power Factor $\geq 90\%$

Working Environments

Temperature -4~104°F (-20~40°C)

Humidity $\leq 90\%RH$

Package Dimensions

Size 47.54inch / 1207.5 mm(L) x

2.72inch / 69 mm(W) x

3.35inch / 85 mm(H)

Weight 3.75lbs / 1.7kg

Package Contents

MODEL-C Clone LED 2pcs

12' 120V Power Cord 1pc

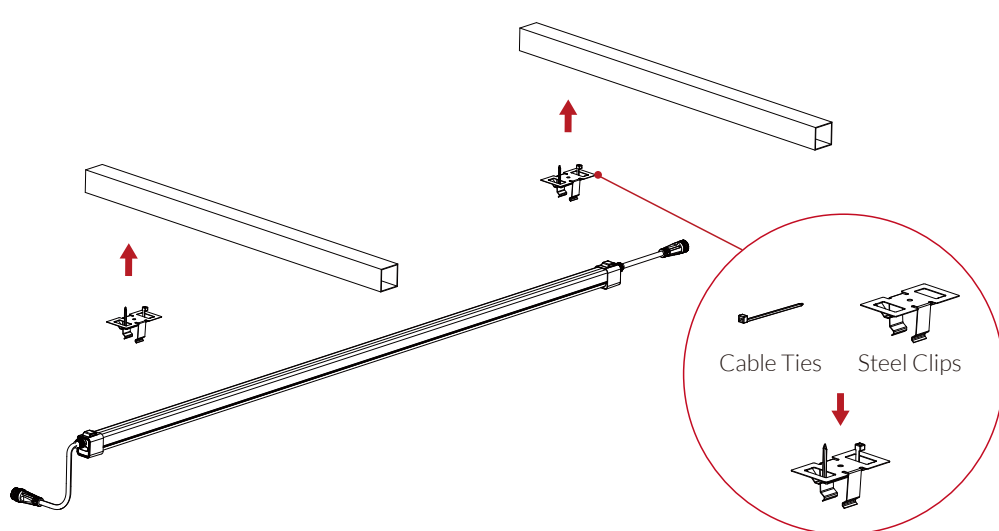
Cabel Ties 4pcs

Steel Clips 4pcs

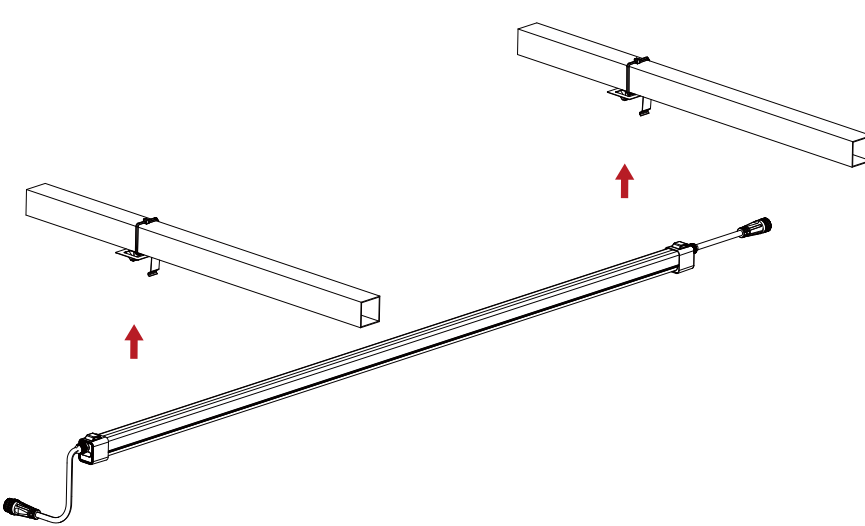
Link Up

MODEL-C

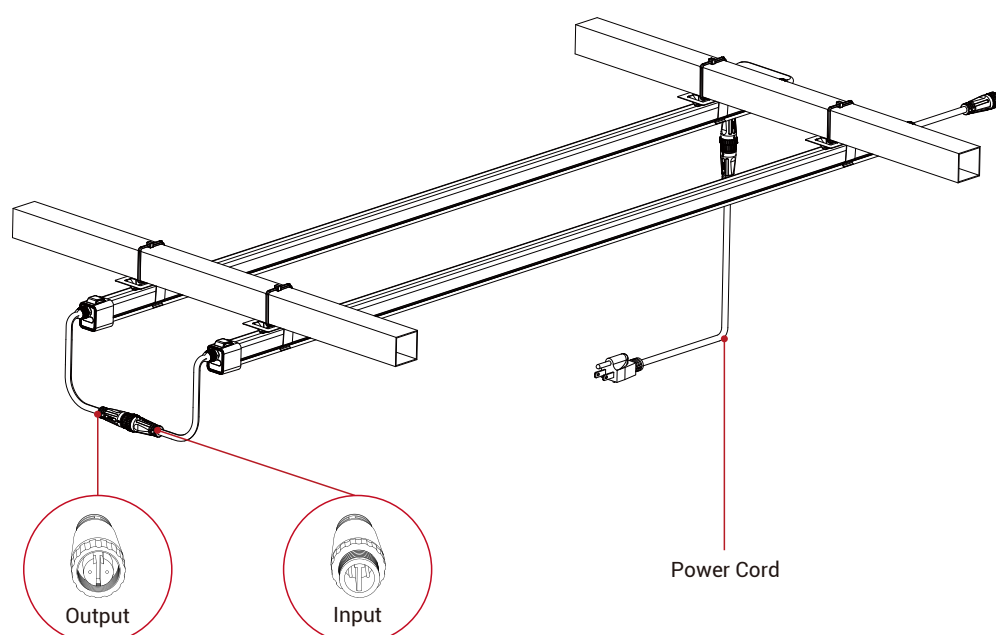
MODEL-C Installation Guide



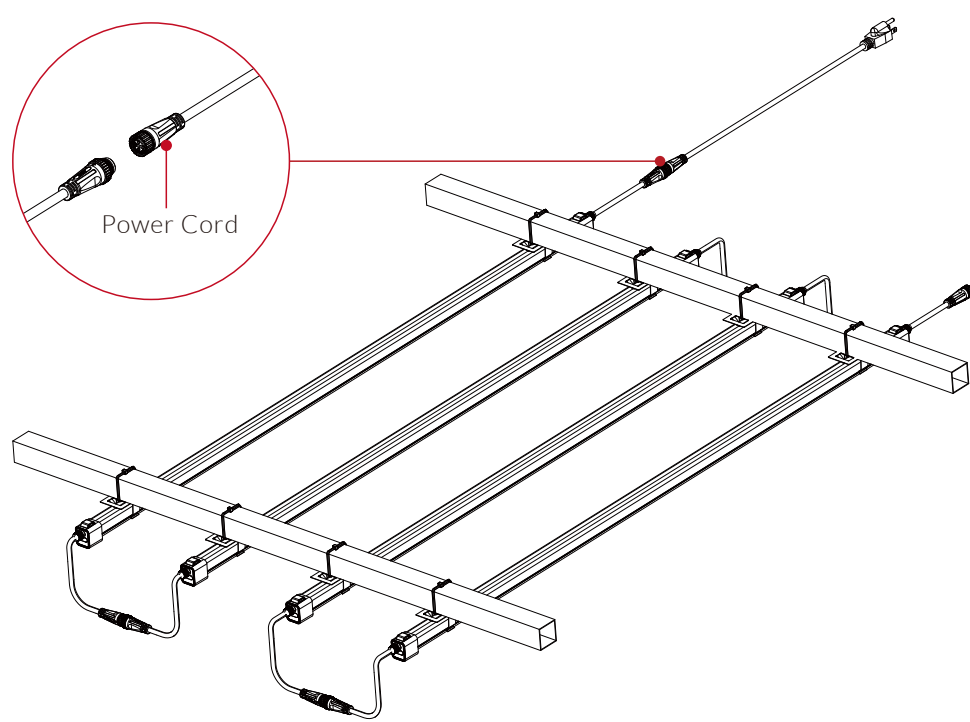
1. Securely fasten the steel clips to a fixed, solid ceiling structure (e.g., unistrut, grow rack). Ensure the clips are positioned no more than 4 feet apart.



2. Lock the fixture securely into both steel clips.

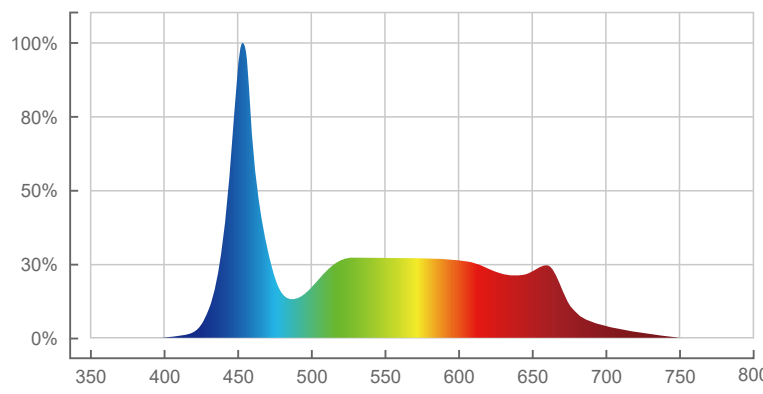


3. To daisy-chain multiple clone light bars, position the input of one fixture right next to the output of the next. Remove the protection cover, then connect and lock the input and output together.



A single power source can connect and power up to 90 clone light bars in a daisy chain configuration. Once daisy-chained, connect the 120V power cord to the power source to energize all fixtures.

SPECTRUM



DIMENSIONS

